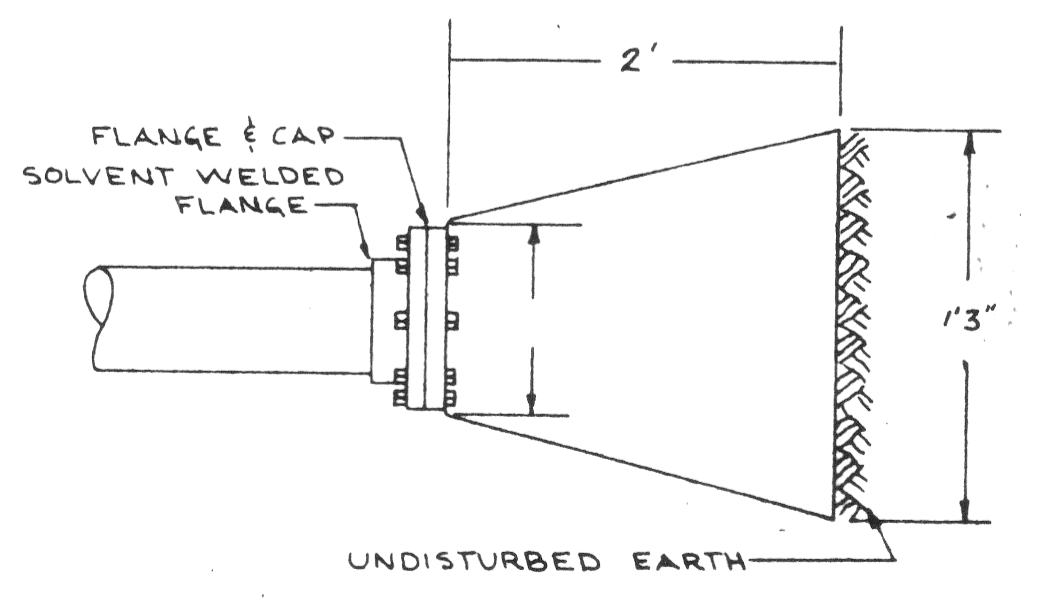
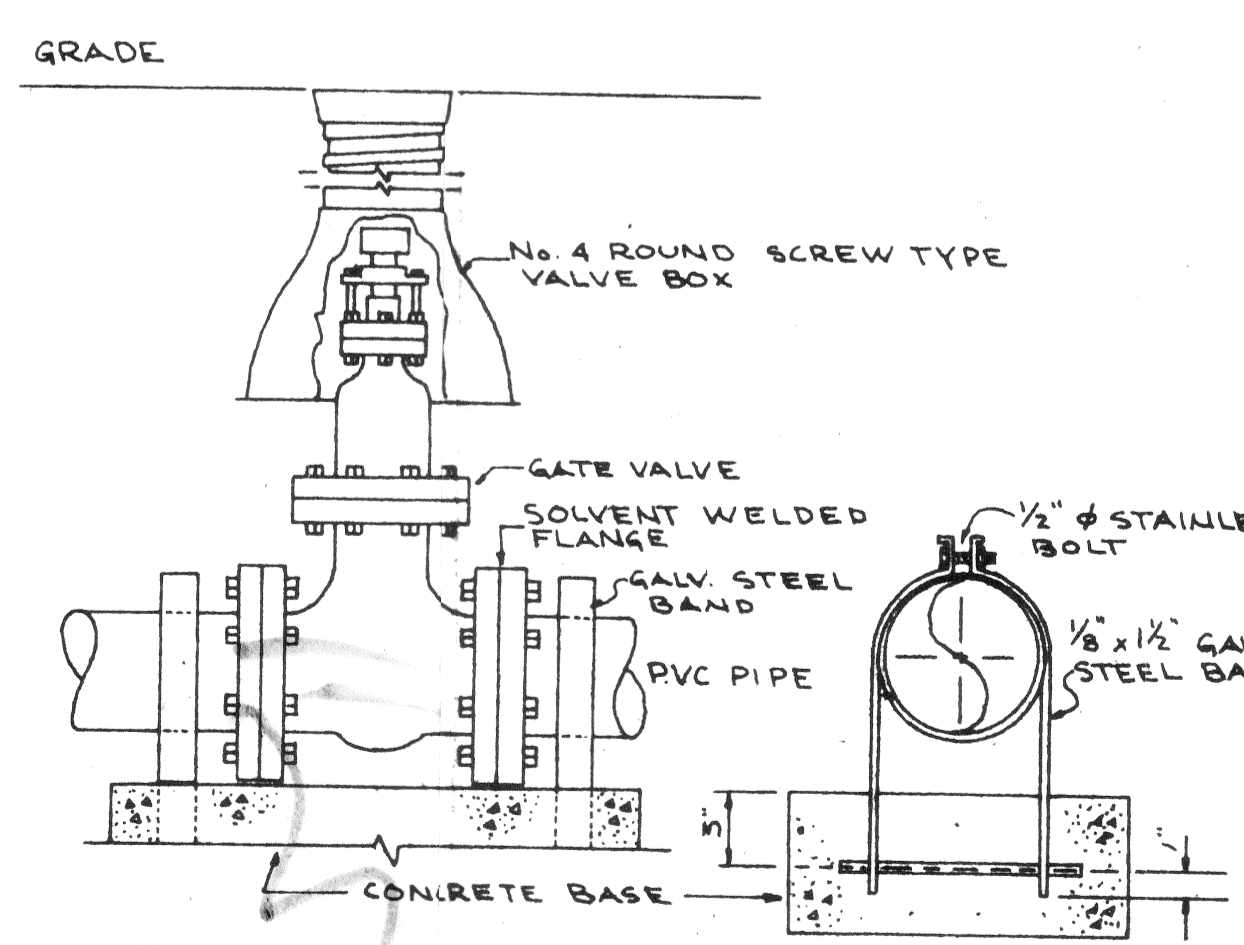


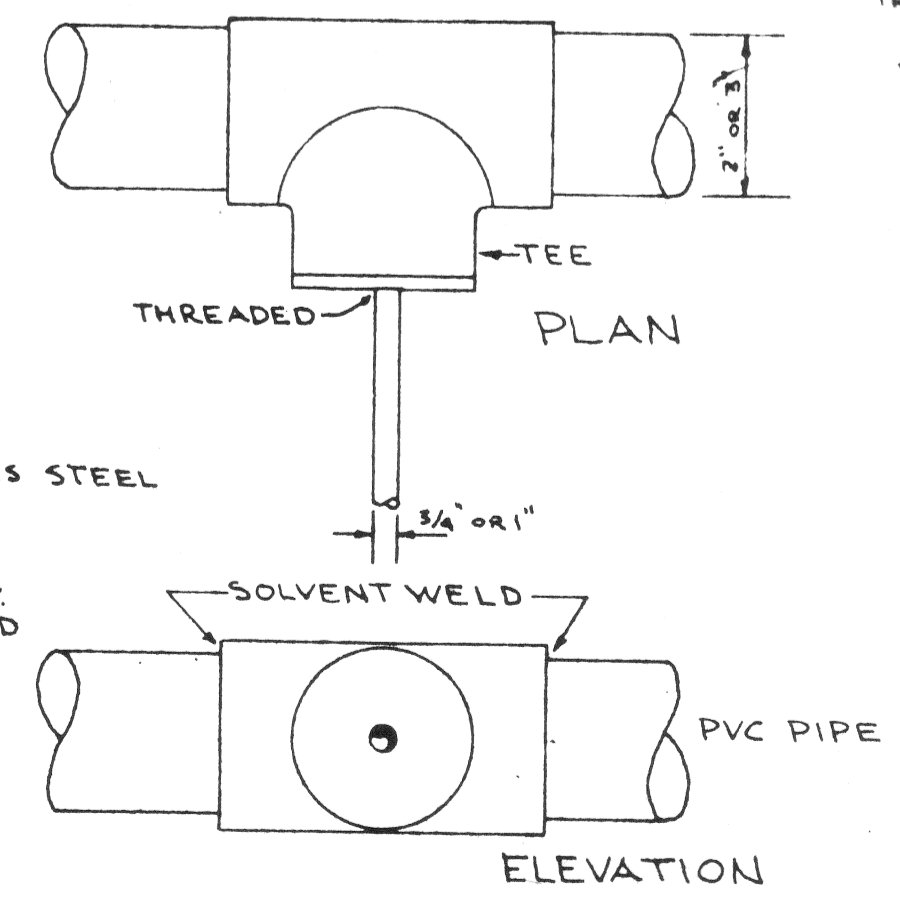
TEE PLAN
SECTION X-X
TYPICAL THRUST BLOCKS



PLUG PLAN & ELEVATION

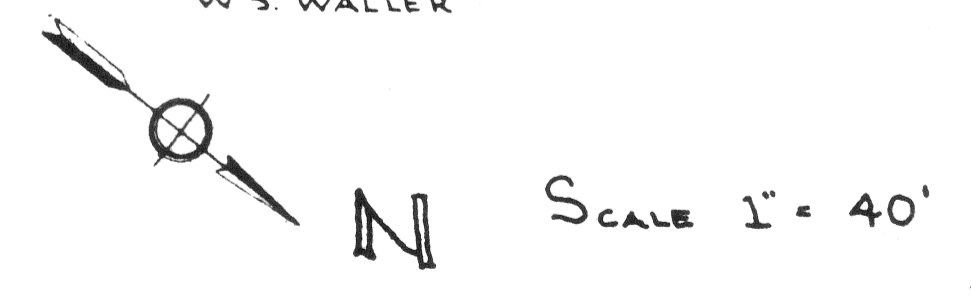


TYPICAL LINE VALVE



TYPICAL SERVICE LATERAL CONNECTION

Traced from a copy of 1956 Map by RE LADD, SURVEYOR NEW MILFORD, CONN.
REVISED LAND DIVISION OF BREEZY KNOLL ASSOC. AS PER MAP DATED DEC 29, 1960 BY D.G. LITTLE.
REVISED FEB. 16, 1963, NAMES OF OWNERS
REVISED AUG. 27, 1963, WATERMAIN LOCATIONS AND VALVES BY W.S. WALLER



Handwritten notes and calculations at the bottom right corner, including various numbers and a small table of values.