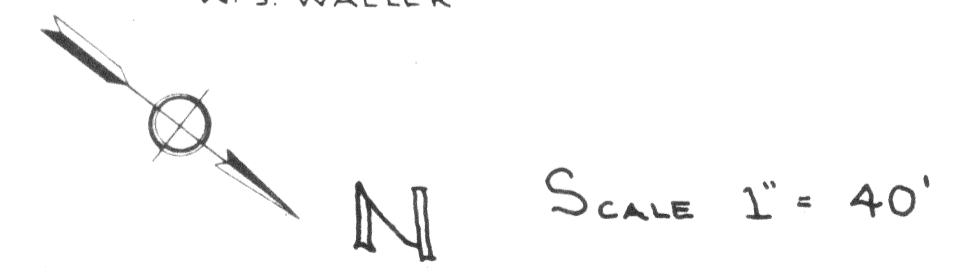
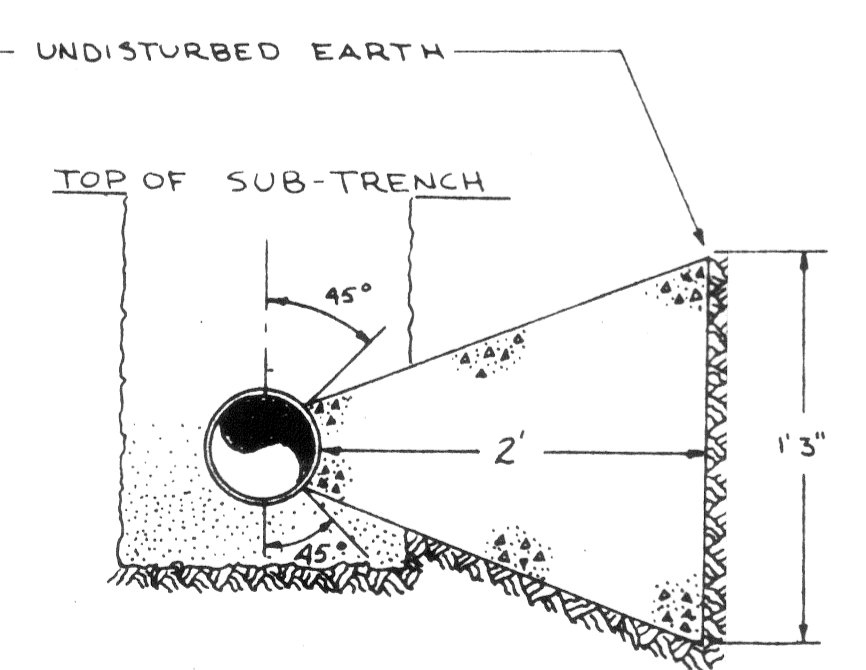
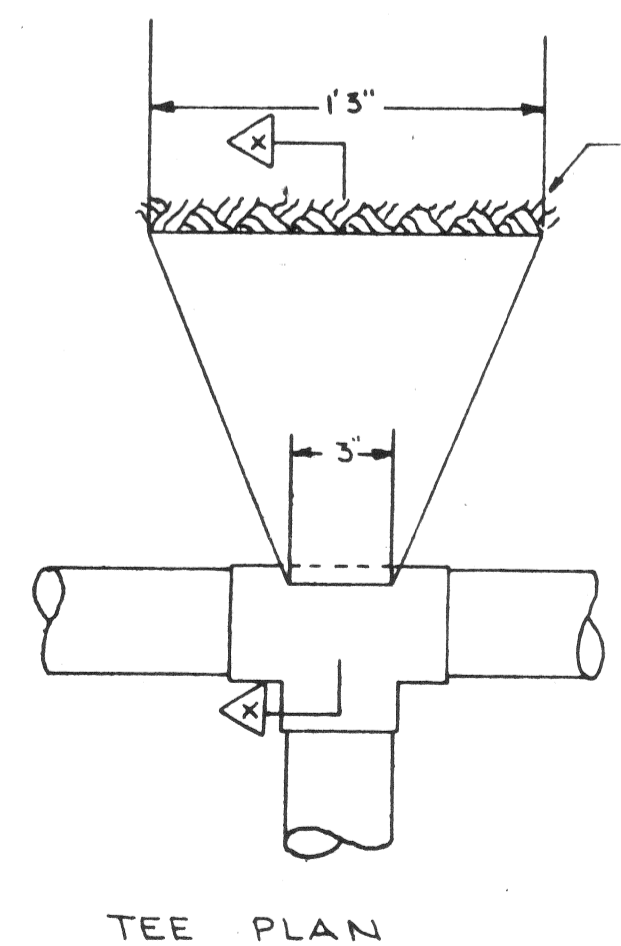
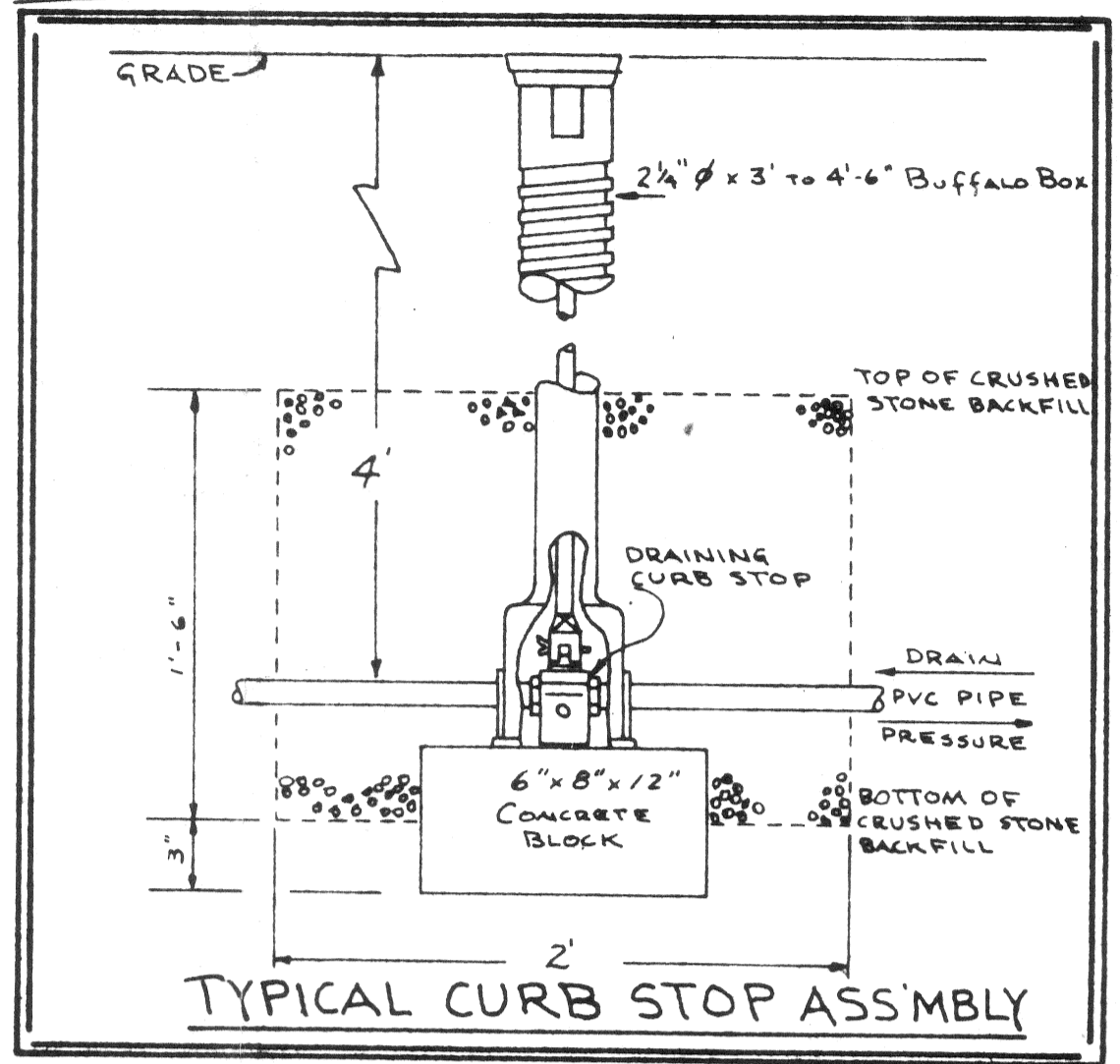
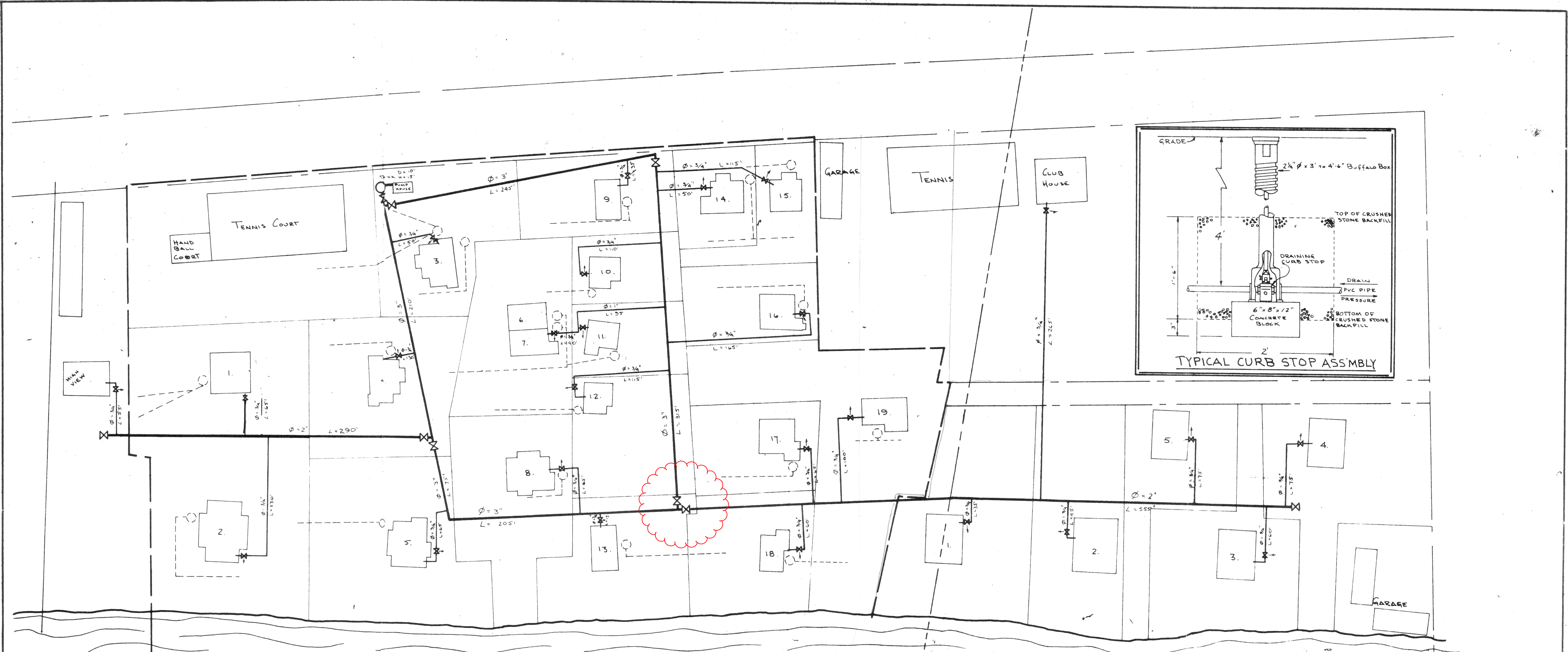
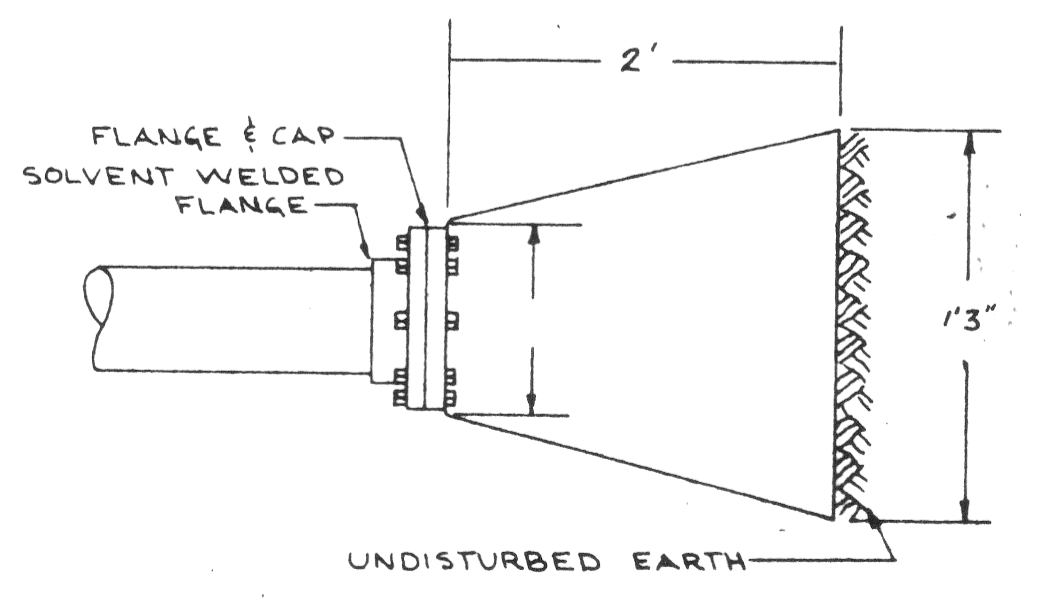


TRACED FROM A COPY OF 1956 MAP BY RE. LADD, SURVEYOR NEW MILFORD, CONN.
REVISED LAND DIVISION OF BREEZY KNOLL ASSOC. AS PER MAP DATED DEC. 29, 1960 BY D.G. LITTLE.
REVISED FEB. 16, 1963; NAMES OF OWNERS
REVISED AUG. 27, 1963; WATERMAIN LOCATIONS AND VALVES BY W.S. WALLER

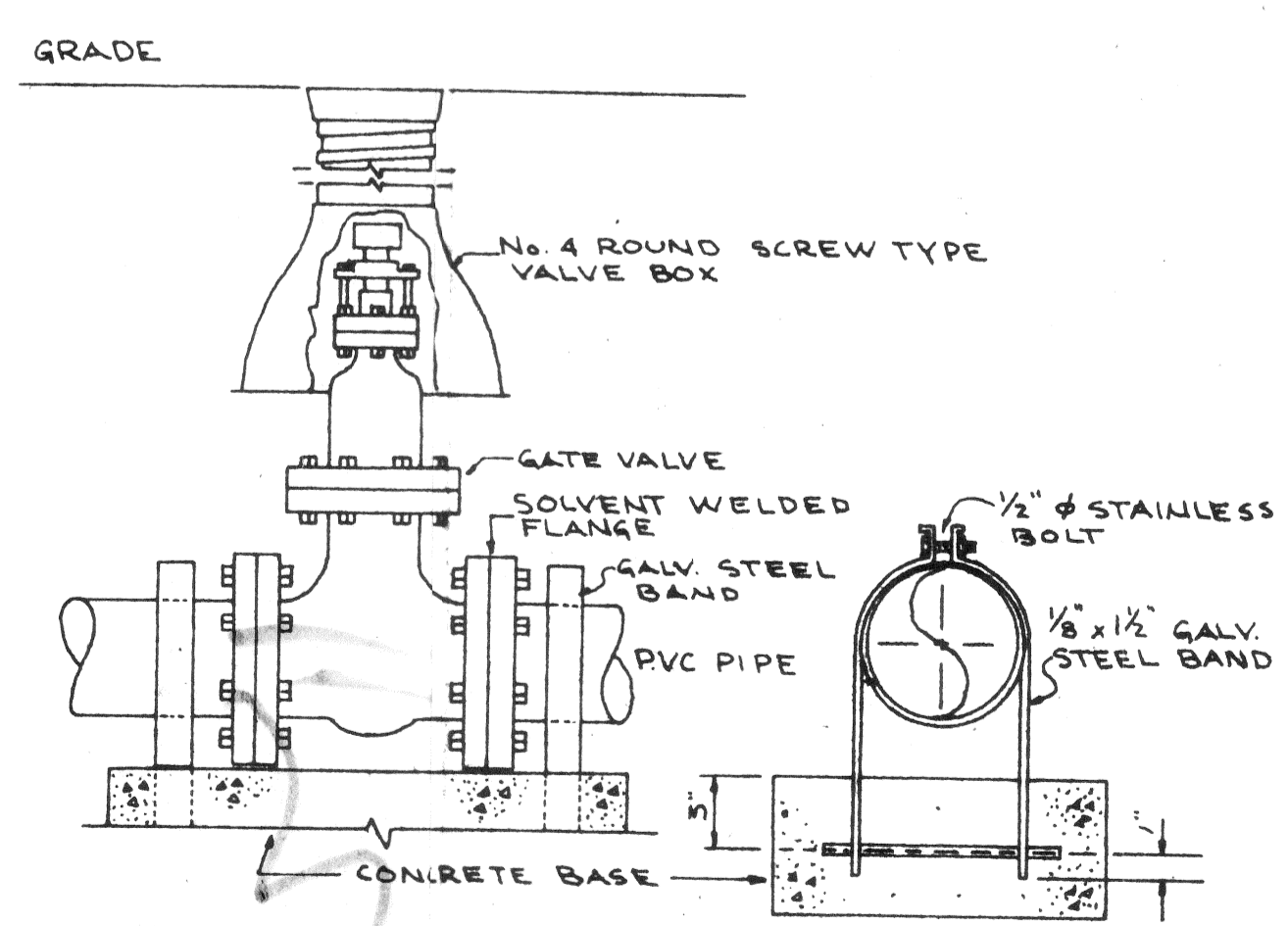




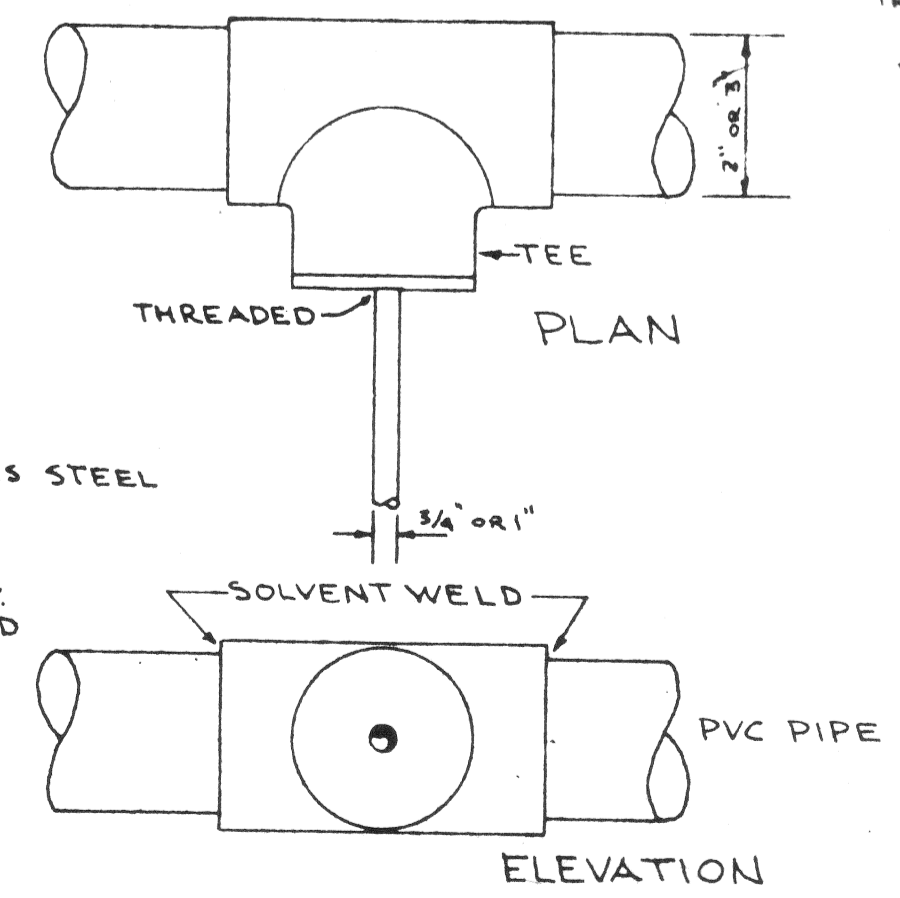
SECTION X-X
TYPICAL THRUST BLOCKS



PLUG PLAN & ELEVATION

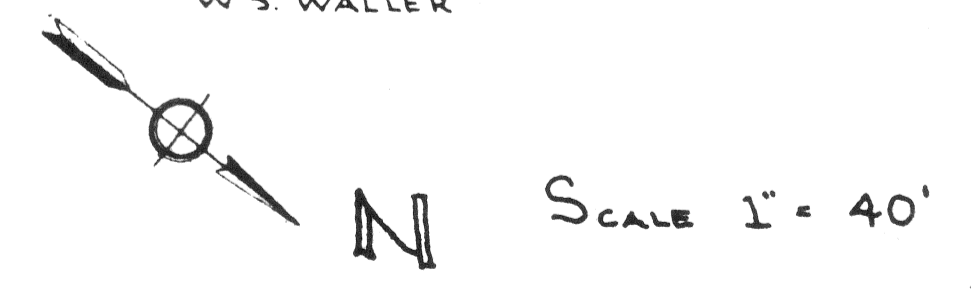


TYPICAL LINE VALVE

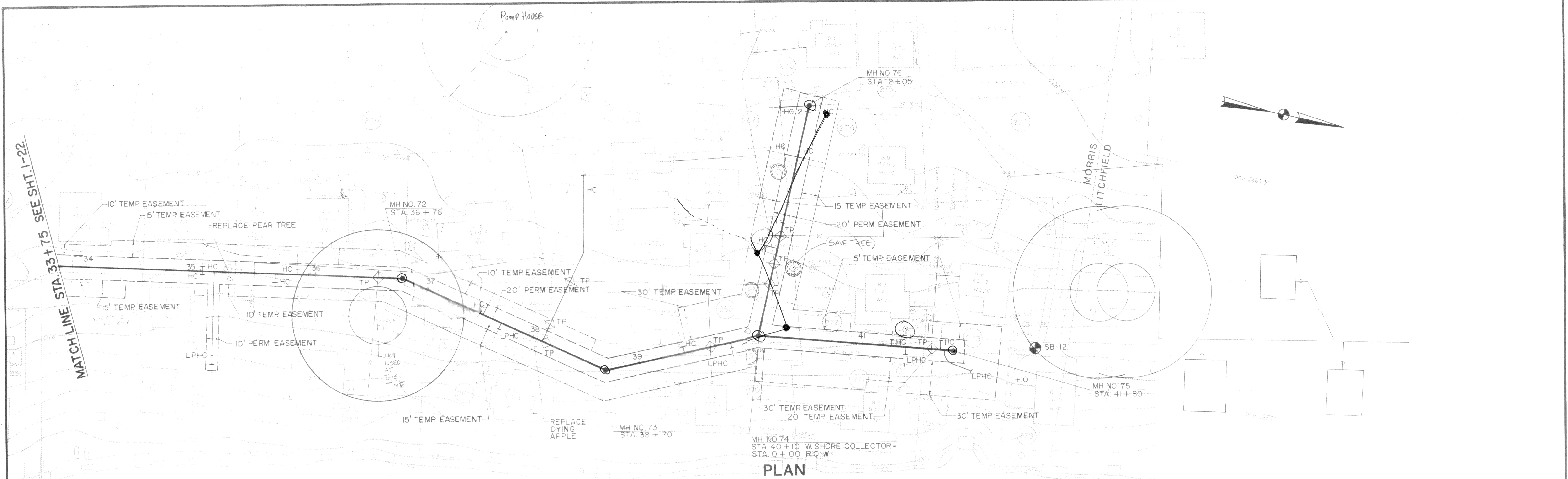


TYPICAL SERVICE LATERAL CONNECTION

Traced from a copy of 1956 Map by RE LADD, SURVEYOR NEW MILFORD, CONN.
 REVISED LAND DIVISION OF BREEZY KNOLL ASSOC. AS PER MAP DATED DEC 29, 1960 BY D.G. LITTLE.
 REVISED FEB. 16, 1963, NAMES OF OWNERS
 REVISED AUG. 27, 1963, WATERMAIN LOCATIONS AND VALVES BY W.S. WALLER



Handwritten notes and calculations at the bottom right corner, including numbers like 40, 120, 9600, 395, 360, 144, 410, 7, 280, 31, 370, 9600, 304, 100, 6, 4, 42, 40, 960, 10, 760, 20000, 40, 6, 30, 40, 11, 19, 40, 40, 140, 760, 40, 30, 187, 3, 378, 304, 100, 304, 100.



NOTES

ALL SEWERS, HOUSE CONNECTIONS & FITTINGS SHALL BE POLYVINYL CHLORIDE (P.V.C.) UNLESS OTHERWISE NOTED.

WATER LINES SHOWN ARE APPROXIMATE ONLY. ALL LOW PRESSURE SEWERS, HOUSE CONNECTIONS AND FITTINGS SHALL BE 160 P.S.I. POLYVINYL CHLORIDE (P.V.C.)

REVIEW COPY

MAY 04 1984

NO.	DATE	DESCRIPTION
REVISIONS		

SUPV.	A.S.
DESIGN	J.G.C.
DRAWN	V.J.F.
CHECKED	
DATE	

GRAPHIC SCALES	1" = 40' HORIZ
	1" = 4' VERT

Hayden | Wegman
Consulting Engineers

WEST HARTFORD
NEW YORK • BOSTON • BUFFALO
ATLANTA • MEMPHIS

MORRIS SEWER COMMISSION

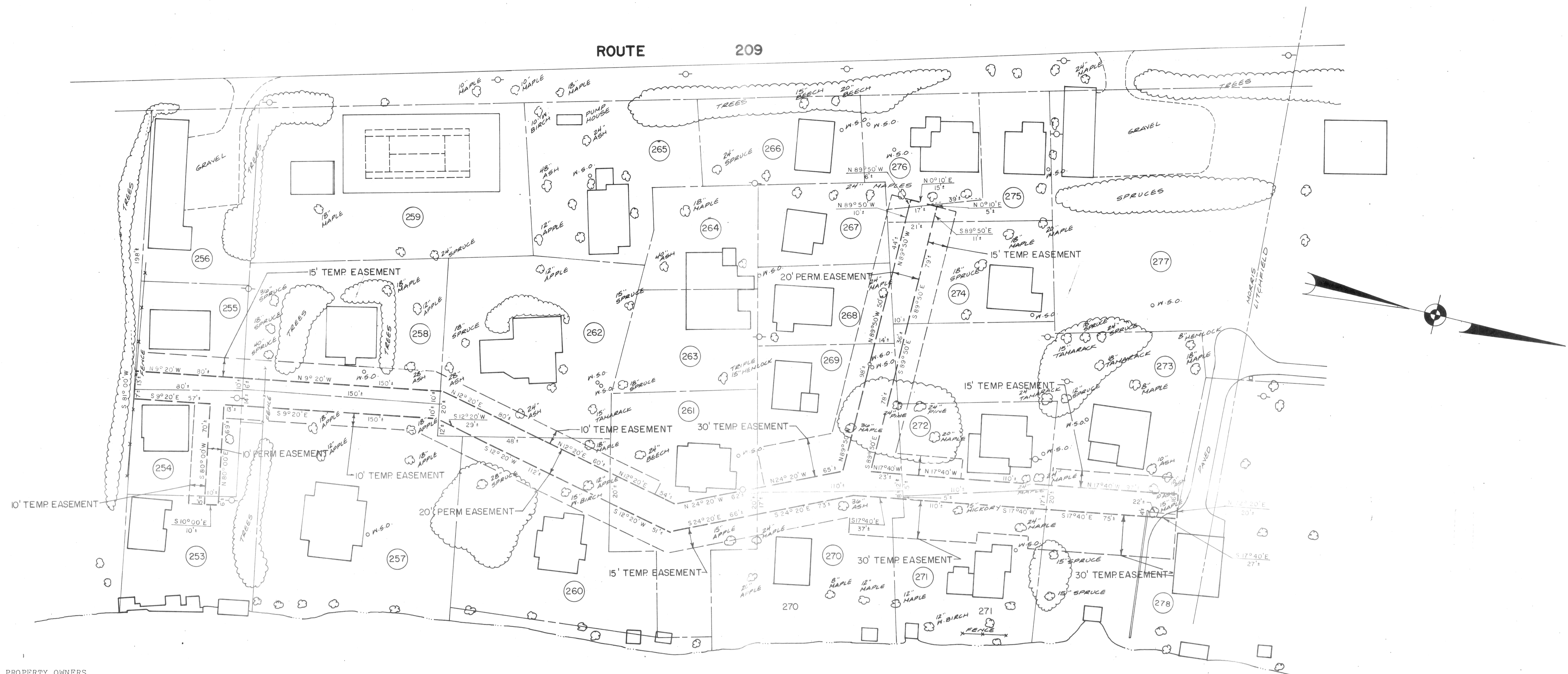
MORRIS CONNECTICUT

BANTAM LAKE SEWER PROJECT

WEST SHORE COLLECTOR
STA. 33+75 to STA. 41+80
R.O.W. (E-W)
STA. 0+00 to STA. 2+05
PLAN AND PROFILE

DRAWING NO. **D- Morris**
SIZE PROJECT **Sewers-833154-**

SHEET 1-23
REV. OF 27



MORRIS PROPERTY OWNERS

Parcel No.	Owner
253	Frank E. Pidorowicz and Joseph M. Germano
254	Frank E. Pidorowicz and Joseph M. Germano
255	Frank E. Pidorowicz and Joseph M. Germano
256	Frank E. Pidorowicz and Joseph M. Germano
257	Natalie Karp
258	Shirley V. Levy
259	The Breezy Knoll Association, Inc.
260	Donald J. and Joan A. Gordon
261	Rose Krones
262	Linda P. Dishy
263	Walter J. Waller
264	Joanne H. Siegmund
265	Morton and Patricia Scheines
266	Paul and Ruth S. Ritterband
267	Alex and Olga Hyman
268	Raymond L. and Laurel L. Sherman
269	Donna Smidt
270	James K. Parker and Mary Beth Dooley
271	Harry and Inge Halpert
272	Marilyn Lichtenstein
273	Barbara R. Hyner
274	Melvin L. and Sherry Gold
275	Isreal Leo and Grace Glasser
276	Murray & Elaine Dinerstein
277	Frank Ritsio, Jr. & Elizabeth D. Ritsio

BANTAM LAKE

Refer to maps prepared by
Douglas G. Little
Robert E. Ladd

THIS MAP IS COMPILED FROM OTHER MAPS, DEED DIMENSIONS AND OTHER SOURCES OF INFORMATION, NOT TO BE CONSTRUED AS AN ACCURATE SURVEY AND SUBJECT TO FINAL CHANGES AS A MORE ACCURATE SURVEY MAY DISCLOSE.

I hereby certify that this map and survey were prepared in accordance with the standards of a Class D survey as defined in the Code of Practice for Standards of Accuracy of Surveys and Maps, adopted December 10, 1975 as amended by the Connecticut Association of Land Surveyors, Inc. This certification is issued to and only to - THE TOWN OF MORRIS - and is for the use of no other person, persons or institutions of any kind; no representations, no warranties and no covenants are made, intended or implied with or to anyone other than the person, persons or institutions to whom this certification is issued.

William A. Berglund, R.L.S.

NOT VALID UNLESS EMBOSSED SEAL IS AFFIXED

REVISIONS	

GRAPHIC SCALE (INCHES)

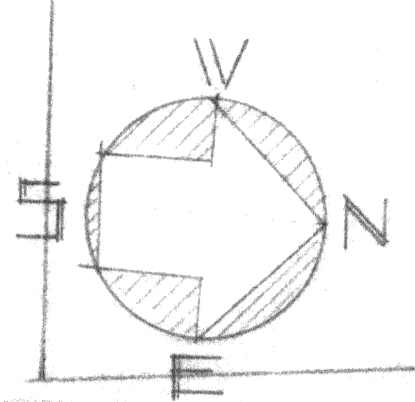
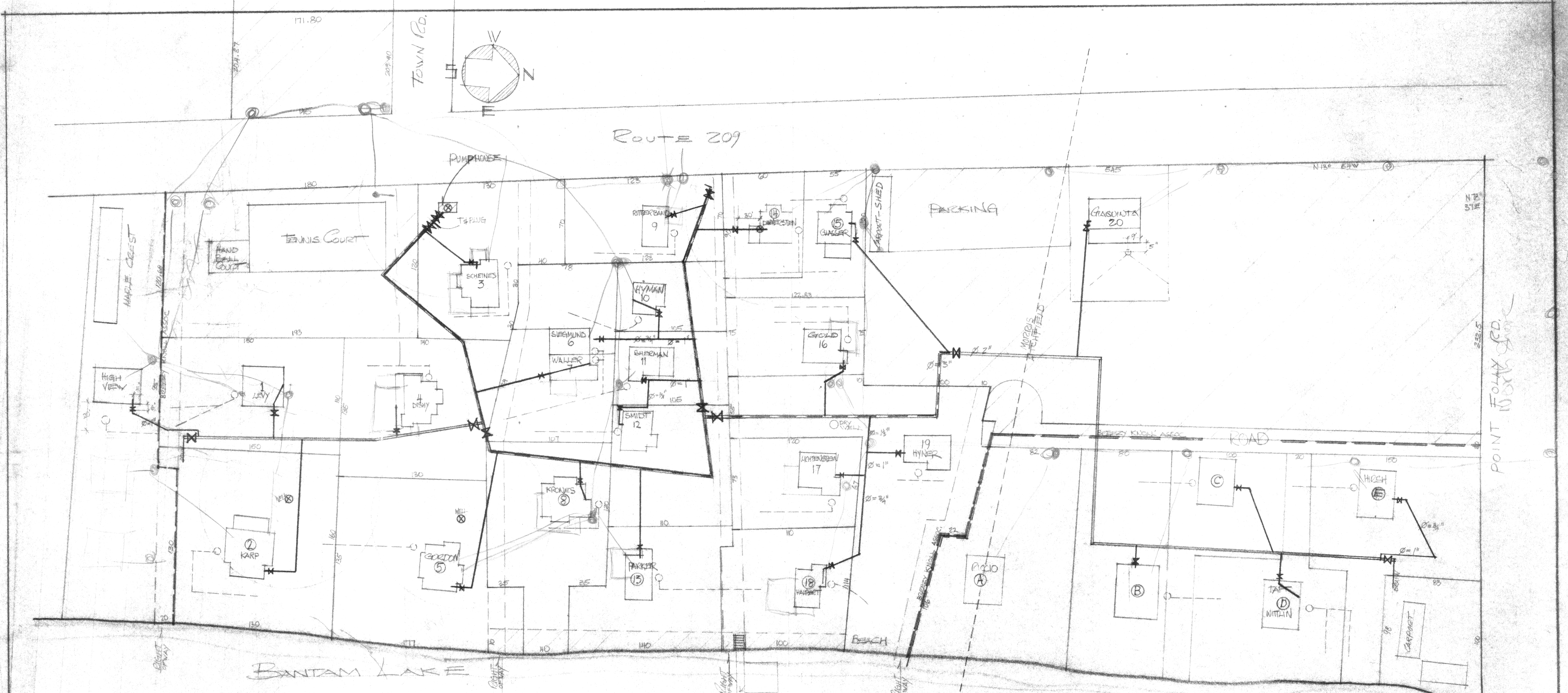
(SEAL)

Hayden | Wegman
Consulting Engineers

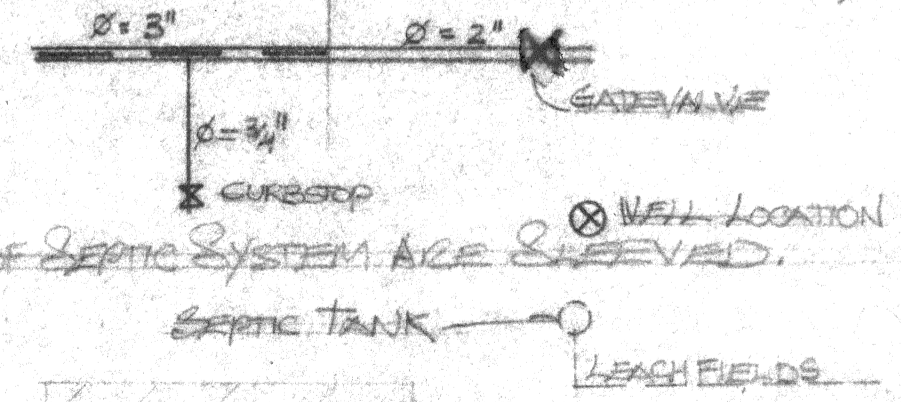
SANITARY SEWER EASEMENTS
TO BE CONVEYED TO
THE TOWN OF MORRIS
MORRIS, CONNECTICUT
BY
FRANK E. PIDOROWICZ and JOSEPH M. GERMANO, et al.

SCALE	DATE	SHEET NO.	JOB NO.
1" = 40'	APRIL, 1984	12 OF 12	1155

WILLIAM A. BERGLUND
REGISTERED LAND SURVEYOR
TORRINGTON, CONNECTICUT



P.V.C. WATERMAINS (OTHER Ø AS MARKED)



NOTE: ALL PIPES WITHIN 10' OF SEPTIC SYSTEM ARE SWEETED.

HOUSES WITH BASEMENTS: (CIRCLED NUMBERS) PIPING INSIDE BASEMENTS: METAL, COMPATIBLE WITH THOSE PIPES EXISTING

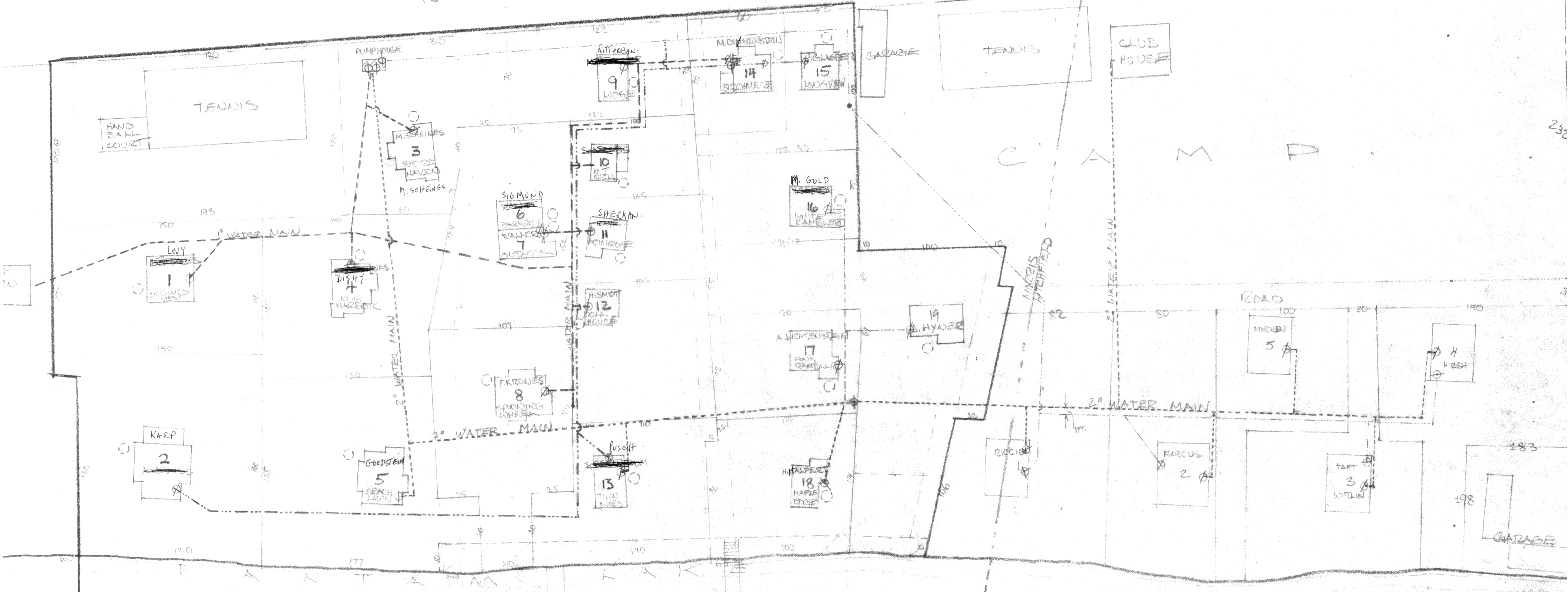
BEEZY KNOWL ASSOC. INC.

COPY OF 1956 MAP BY R.E. LADD, SURVEYOR, N.W. MILFORD, CONN. CHANGED LAND DIVISIONS OF BEEZY KNOWL ASSOC. INC. AS PER MAP DATED 12.21.60 BY R.G. HITTLE, SURVEYOR.

9.2.75	W.S. VALLER	9.8.75	9.13.78	5.15.84	SCALE 1" = 10'
--------	-------------	--------	---------	---------	----------------

RT. 209

1545 N 13° 54' W



BREEZY KNOCK ASSOC. INC.

INDICATES BREEZY KNOCK ASSOC. INC. COMMUNITY PROPERTY

COPY OF 1956 MAP BY R.E. LADD, SURVEYOR
 NEW MILFORD, CONN.
 REVISED LAND DIVISION OF BREEZY KNOCK
 AS PER MAP DATED DEC. 29, 1960 BY D.G.
 REVISED FEB. 16, 63 NAMES OF OWNERS
 REVISED AUG. 27, 63 WATERMAIN LOCATIONS

- 15:
- 1" SUMMER MAIN
 - 1" PLASTIC MAIN (CONNECTED TO THE ABOVE)
 - 2" SUMMER MAIN
 - 3" WINTER MAIN (CONNECTED TO 1" SUMMER MAIN AT HOUSE #14)
 - PLASTIC WINTER MAIN (DISCONNECTED AT ●)
 - VALVES

NUMBER OF HOUSES TO DISCONNECT	WATERMAIN CHECK LIST																			
	1	2	3	4	5	6	7	8	9	10	11	12	13	14	15	16	17	18	19	
PLUGS	5	9	1	3	6	3	1	5	2	4	3	3	1	4	3	2	3	4	4	2
VALVES													3			1				
HOUSE #	1	2	3	4	5	6	7	8	9	10	11	12	13	14	15	16	17	18	19	

○ APPROX. LOCATION OF CRYPTIC TANKS

W.S. WALLER = S
 SCALE 1" = 4'